

TEAC

SERVICE MANUAL

DV-3800/3800VK

DVD Player
DVD Player & Digital Karaoke



NOTES

- PC board shown are viewed from parts side.
- The parts with no reference number or no parts number in the exploded views are not supplied.
- As regards the resistors and capacitors, refer to the circuit diagrams contained in this manual.
- ⚠ Parts marked with this sign are safety critical components. they must be replaced with identical components - refer to the appropriate parts list and ensure exact replacement.
- Parts of [] mark can be used only with the version designated.
DV-3800 - [EUR] EUROPE
DV-3800VK: [AUS] AUSTRALIA

CONTENTS

1 SPECIFICATIONS	2
2 EXPLODED VIEW AND PARTS LIST	3
3 PC BOARDS AND PARTS LIST	6
4 WIRING DIAGRAM	14
5 INCLUDED ACCESSORIES	15

DV-3800/3800VK

1 SPECIFICATIONS

DVD Player

Pickup :	Semiconductor laser, Wavelength 650 nm
Signal system :	NTSC / PAL
Audio frequency response :	20 Hz ~ 20 kHz (+/- 1dB)
Signal-to-noise-Ratio:	>100dB
Total harmonic distortion:	<0.01%

Video outputs

CVBS Video :	1 Vp-p 75 ohms
S-video :	Y: 1 Vp-p 75 ohms, C:0.286 Vp-p 75 ohms
AV Connector :	Scart x 1

General

Power requirements :	110-240V AC, 50/60 Hz
Power consumption :	14 W
Dimension (W x H x D):	420 x 276 x 48 mm
Weight:	2.5 kg
Operating temperature:	5°C ~ 35°C (40°F ~ 95°F)
Operating humidity:	15% ~ 75%

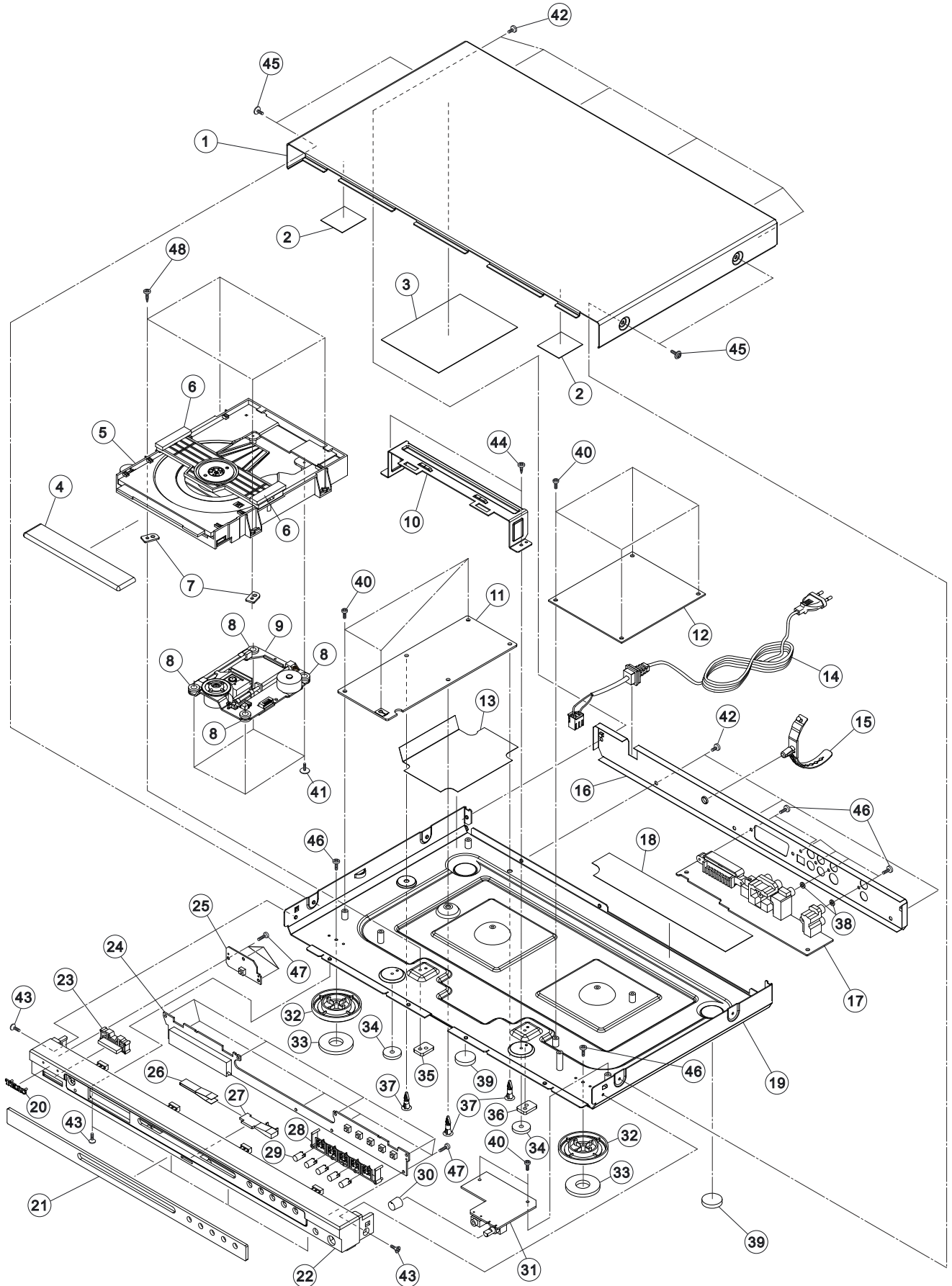
Accessories

AV cord - 1.5m audio
AV cord - 1.5m video
Instruction book
Battery #AAA
Remote Control

- Design and specifications are subject to change without notice.
- Weight and dimensions are approximate.
- Illustrations may differ slightly from production model.



2. EXPLODED VIEWS AND PARTS LIST

EXPLODED VIEW 1



DV-3800/3800VK

EXPLODED VIEW - 1

REF. NO	PARTS NO.	DESCRIPTION	REMARKS
1-1	3101559	TOP COVER	
1-2	5232411	PVC SHEET - 33X29X0.5	
1-3	3029353	PVC SHEET - 110X80X0.4	
1-4	3029354	DOOR	
1-5	3060388	DVD LOADER FRAME	
1-6	5233127	SOFT SPONGE SPACER - 17.5X13X3	
1-7	5230458	SOFT SPONGE SPACER (W/HOLE)	
1-8	5232894	SHAKE-FROOF PLATE	
1-9	2380247	DVD LOADER	
1-10	3871179	LOADER BRACKET	
1-11	5444425	POWER PCB ASSY	
1-12	5445635	MPEG PCB ASSY - DV-3800	
	5445640	MPEG PCB ASSY - DV-3800VK	
1-13	5232085	PVC PIECE - 113.2X74.7X0.5	
1-14	 2140038	AC POWER CORD - DV-3800	
	 2140155	AC POWER CORD - DV-3800VK	
1-15	5230472	CLASP	
1-16	3101556	REAR COVER - DV-3800	
	3101555	REAR COVER - DV-3800VK	
1-17	5445636	I/O PCB ASSY - DV-3800	
	5445641	I/O PCB ASSY - DV-3800VK	
1-18	5232886	PVC PIECE - 200X38X0.4	
1-19	3101552	BOTTOM COVER - DV-3800	
	3101581	BOTTOM COVER - DV-3800VK	
1-20	3060414	PLASTIC PLATE	
1-21	3029596	GLASS - DV-3800	
	3029597	GLASS - DV-3800VK	
1-22	3003133	PANEL - DV-3800	
	3003132	PANEL - DV-3800VK	
1-23	3029347	POWER BUTTON	
1-24	5445628	DISPLAY PCB ASSY	
1-25	5445629	POWER SW PCB ASSY	
1-26	5233148	ALUMINUM FOIL LABEL - 90X8X0.1	
1-27	3029352	GUIDING LIGHT RING	
1-28	3029349	FUNCTION BUTTON BRACKET	
1-29	3029348	FUNCTION BUTTON	
1-30	3029350	VOLUME KNOB	

DV-3800/3800VK

EXPLODED VIEW - 1

REF. NO	PARTS NO.	DESCRIPTION	REMARKS
1-31	5445631	HEADPHONE PCB ASSY - DV-3800	
	5445634	MIC PCB ASSY - DV-3800VK	
1-32	3029353	FOOT	
1-33	5233092	SOFT SPONGE SPACER - 33.5X13.5X4	
1-34	5233118	SOFT SPONGE SPACER - 18X4.2X3	
1-35	5233117	SOFT SPONGE SPACER - 17.5X13X3	
1-36	5233124	SOFT SPONGE SPACER (W/HOLE)	
1-37	3024662	BRACKET SUPPORT	
1-38	5232505	PVC SHEET - 5X3X0.4	
1-39	5231494	FOOT SPACER - 20X4	
1-40	4210054	TAPPING SCREW PM 3X6 ZNC	
1-41	4000595	TAPPING SCREW PW 2.6X7X9 WHITE	
1-42	4000308	TAPPING SCREW BT 3X5	
1-43	4040071	TAPPING SCREW FB 3X6 WHITE	
1-44	4000623	TAPPING SCREW BA 3X6 WHITE	
1-45	4000194	TAPPING SCREW PWT 3X6X7	
1-46	4000270	TAPPING SCREW BT 3X7	
1-47	4000048	TAPPING SCREW PB 3X8 ZINC	
1-48	4000624	TAPPING SCREW BA 3X8 WHITE	

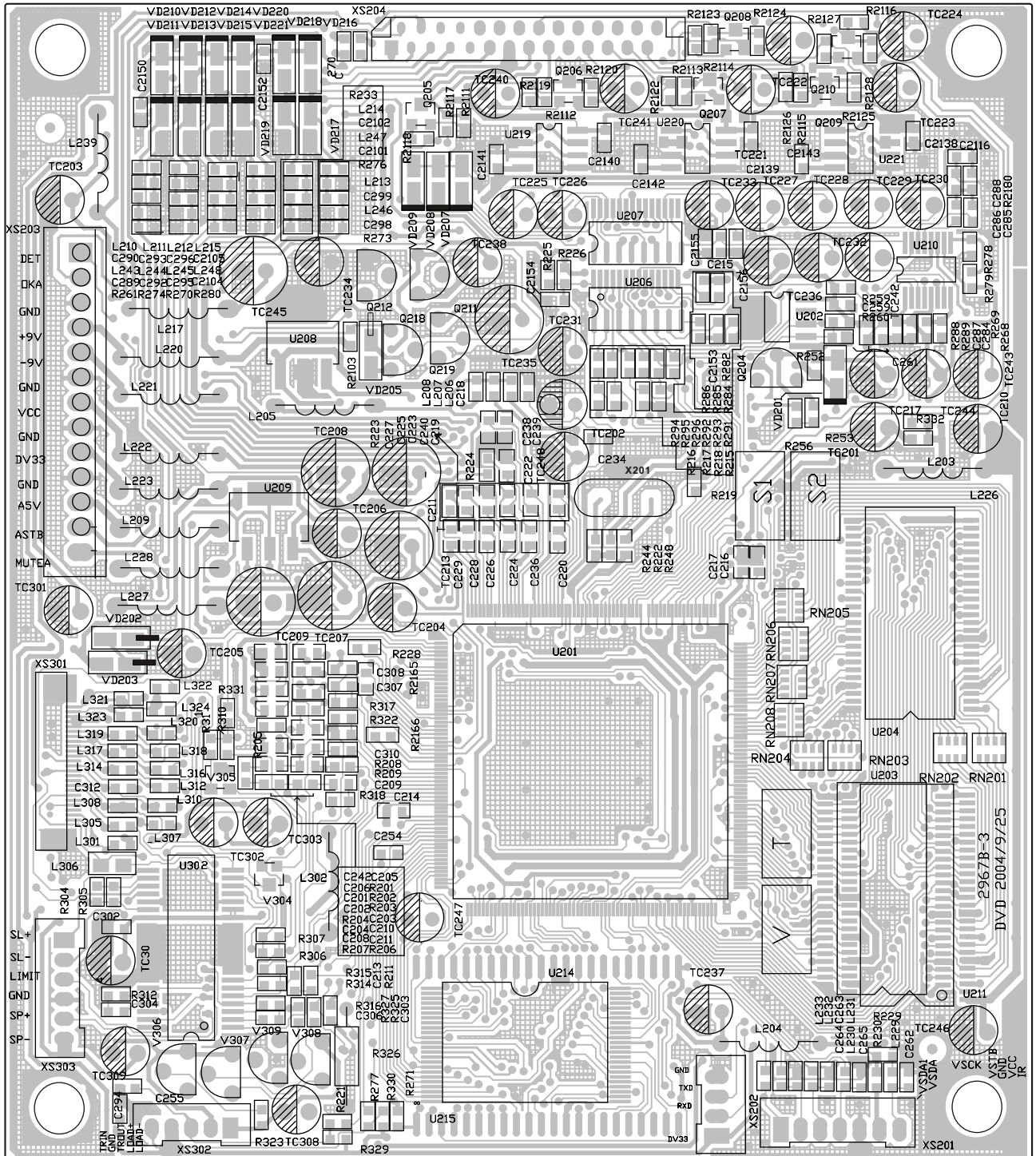
DV-3800/3800VK

3 PC BOARDS AND PART LISTS

MPEG PCB ASSY

REF. NO	PARTS NO.	DESCRIPTION	REMARKS
	5445635	MPEG PCB ASSY - DV-3800	
	5445640	MPEG PCB ASSY - DV-3800VK	
	1631688	MPEG PCB	
	0910959	FLASH - ROM3800TEY-0A - DV-3800	
	0910958	FLASH - ROM3800VKTEA-0A - DV-3800VK	
L205,209,217,220, L221-223,226-228,302	0390057	MAGNETIC BEAD INDUCTOR RH354708	
L201,203,207,208, L224,234-236,238, L229-233,250,301, L304,305,307-312, L314,316-324,218	0390095	SMD MAGNETIC BEAD FCM1608K-221T05	
L243-248	0390096	SMD INDUCTOR 1.8UH	
L303,306	0390044	SMD INDUCTOR 10UH	
Q204	0780033	TR - 9015C	
Q205-210	0780020	SMD TR - 2SC1815	
Q211,218,219	0780043	TR - 2SA1015	
Q212	0780020	TR - C1815Y	
RN205-208	0100034	SMD RESISTOR NETWORK - 0 OHM	
U201	0881897	IC - MT1389EE	
U202	0881031	IC - 24C02N	
U203,204	0881275	IC - 42S16100-7T - DV-3800	
U205	0880322	IC - MM74HCU04M	
U207	0881057	IC - CS4360	
U209	0881182	IC - LM1117MP	
U210	0881059	IC - CS5333 - DV-3800VK	
U211	0881415	IC - HY57V641620HGT - DV-3800VK	
U219,220,221	0880185	IC - NJM4558M	
U302	0881378	IC - BA5954FP	
VD201,205-221	0700007	SMD DIODE - 1N4148	
V301,302	0780115	SMD TR - 2SB1132	
V303,304	0780193	SMD TR - 2SK3018	
V305	0780040	SMD TR - 3904	
V306,309	0780030	TR - 8550C	
V307,308	0780029	TR - C8050	
V310	0780062	SMD TR - 9014C	
X201	0960020	CRYSTAL 27.0MHZ	
XS201,303	1940005	SOCKET 6IN 2MM	
XS204	1940140	CABLE SOCKET 14PIN	
XS203	1940171	SOCKET 13PIN 2.5MM	
XS301	1940094	SOCKET 24PIN 0.5MM SMD W/CLASP	
XS302	1940024	SOCKET 5PIN 2MM	

MPEG PCB



DV-3800/3800VK

DISPLAY PCB ASSY

REF. NO	PARTS NO.	DESCRIPTION	REMARKS
	5445628	DISPLAY PCB ASSY	
	1563355	DISPLAY PCB	
D401,402	0570006	DIODE - 1N4148	
LED401	0620002	RADIATION DIODE D3MM - RED	
LED402	0620089	RADIATION DIODE D3MM - BLUE	
K401-405	1340003	SWITCH 6X6X1MM	
U401	0880146	IC - D16312GB	
U403	2360016	IR SENSOR HS0038B3V	
V401	0780129	SMD TR - 8550D	
V402	0780085	SMD TR - 8050	
VFD401	1200651	DISPLAY VFD16-0604C	

I/O PCB ASSY

REF. NO	PARTS NO.	DESCRIPTION	REMARKS
	5445636	I/O PCB ASSY - DV-3800	
	5445641	I/O PCB ASSY - DV-3800VK	
	1563385	I/O PCB	
D701,702	0700007	SMD DIODE 1N4148	
JK701	1910180	TERMINAL SOCKET - AV8-8.4-6G-3	
JK702	1910179	TERMINAL SOCKET - AV4-8.4-6G-3	
JK703	1910129	TERMINAL SOCKET - SA-001-012	
JK705	1090045	OPTICAL- TX179ATW	
JK706	1860029	SCART SOCKET	
L705,707,709,710, L713,714	0390057	MAGNETIC BEAD INDUCTOR RH354708	
L706,708,715-716	0390095	SMD MAGNETIC BEAD FCM1608K-221T05	
TC702	△ 0260352	CE - 1000UF/10V	
V701-703	0780050	TR - S8050D	
XS701	1940140	CABLE SOCKET 14PIN 1MM	
XS702	1940026	SOCKET 3PIN 2MM - DV-3800	
ZD701-704	0700004	SMD DIODE 5.1V	

DV-3800/3800VK

POWER PCB ASSY

REF. NO	PARTS NO.	DESCRIPTION	REMARKS
	5444425	POWER PCB ASSY	
	1563119	POWER PCB	
BC501	△ 0210166	ANTI-DIS. CAP 0.01UF/275V	
BC502	△ 0210066	TERYLENE CAP - 0.1UF/275V	
BC503	△ 0200229	CER. CAP AC470PF/250V	
BCN501	1940045	SOCKET 2PIN 8MM	
CN501	1940065	SOCKET 13PIN 2MM	
CN502	1940171	SOCKET 13PIN 2.5MM	
D501-504	△ 0570005	DIODE - 1N4007	
D505	△ 0570014	DIODE - HER107	
D506,507	0570006	DIODE - 1N4148	
D508,511-513	△ 0570013	DIODE - HER105	
D509	△ 0680007	DIODE - SR360	
D510	△ 0570028	DIODE - HER306	
D514	△ 0680026	DIODE - SR160	
F501	△ 2300021	FUSE T1.6AL 250V	
L501,502	△ 1000004	FILTER - 40MH UT-20	
L505,508	0410010	CHOKO COIL 10UH (1A)	
L506,507	0410011	CHOKO COIL 10UH (2A)	
R503	△ 0010157	RESISTOR 68K 2W	
TR501	△ 0460284	TRANSFORMER - BCK-28-0287	
TC501	△ 0260265	CE- 47UF/400V	
TC505,506,509,	△ 0260015	CE -1000UF/10V	
TC510			
U501	0881611	IC - TNY268P	
U502	1080011	IC - HS817	
U503	0881515	IC - TLV431	
U504	0880379	IC - LM7805	
U506	0690001	IC - MCR100-6	
V502	0780026	TR - 2N5551	
ZD501	0580006	ZENER DIODE 5.1V 1/2W	
ZD502	0580054	ZENER DIODE 9.1V 1W	

POWER SW PCB ASSY

REF. NO	PARTS NO.	DESCRIPTION	REMARKS
	5445629	POWER SW PCB ASSY	
	1631817	POWER SW PCB	
D918	0700007	SMD DIODE - 1N4148	
K901	1340003	SWITCH 6X6X1MM	
U905	0900310	IC - ROM965-1	
XS902	1940046	SOCKET 10P 2MM	

DV-3800/3800VK

HEADPHONE PCB ASSY [DV-3800]

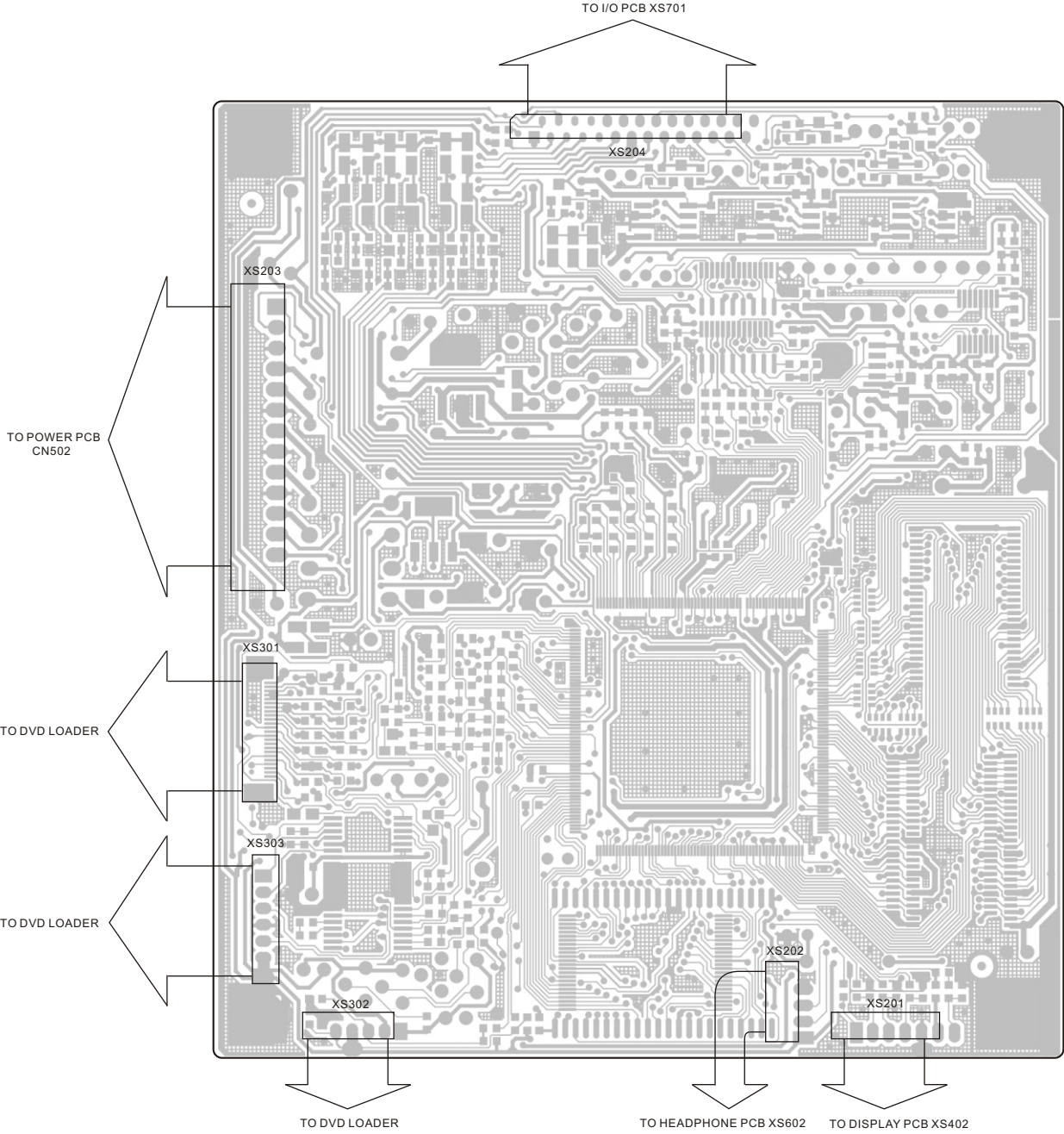
REF. NO	PARTS NO.	DESCRIPTION	REMARKS
	5445631	HEADPHONE PCB ASSY	
	1563366	HEADPHONE PCB	
E601	1980058	HEADPHONE SOCKET	
U602	0881537	IC - TDA1308	
VR601	0160195	VR - WH09JTC12-B50K-F30	
XS601	1940026	SOCKET 3PIN 2MM	
XS602	1940027	SOCKET 2PIN 2MM	

MIC PCB ASSY [DV-3800VK]

REF. NO	PARTS NO.	DESCRIPTION	REMARKS
	5445634	MIC PCB ASSY	
	1563356	MIC PCB	
L601-604	0390057	MAGNETIC BEAD INDUCTOR-RH354708	
MIC601,602	1980011	MICROPHONE SOCKET	
U601,602	0880124	IC - NJM4558D	
VD601-603	0570006	DIODE - 1N4148	
XS601	1940006	SOCKET 6PIN	

DV-3800/3800VK

4 WIRING DIAGRAM



DV-3800/3800VK

5 INCLUDED ACCESSORIES

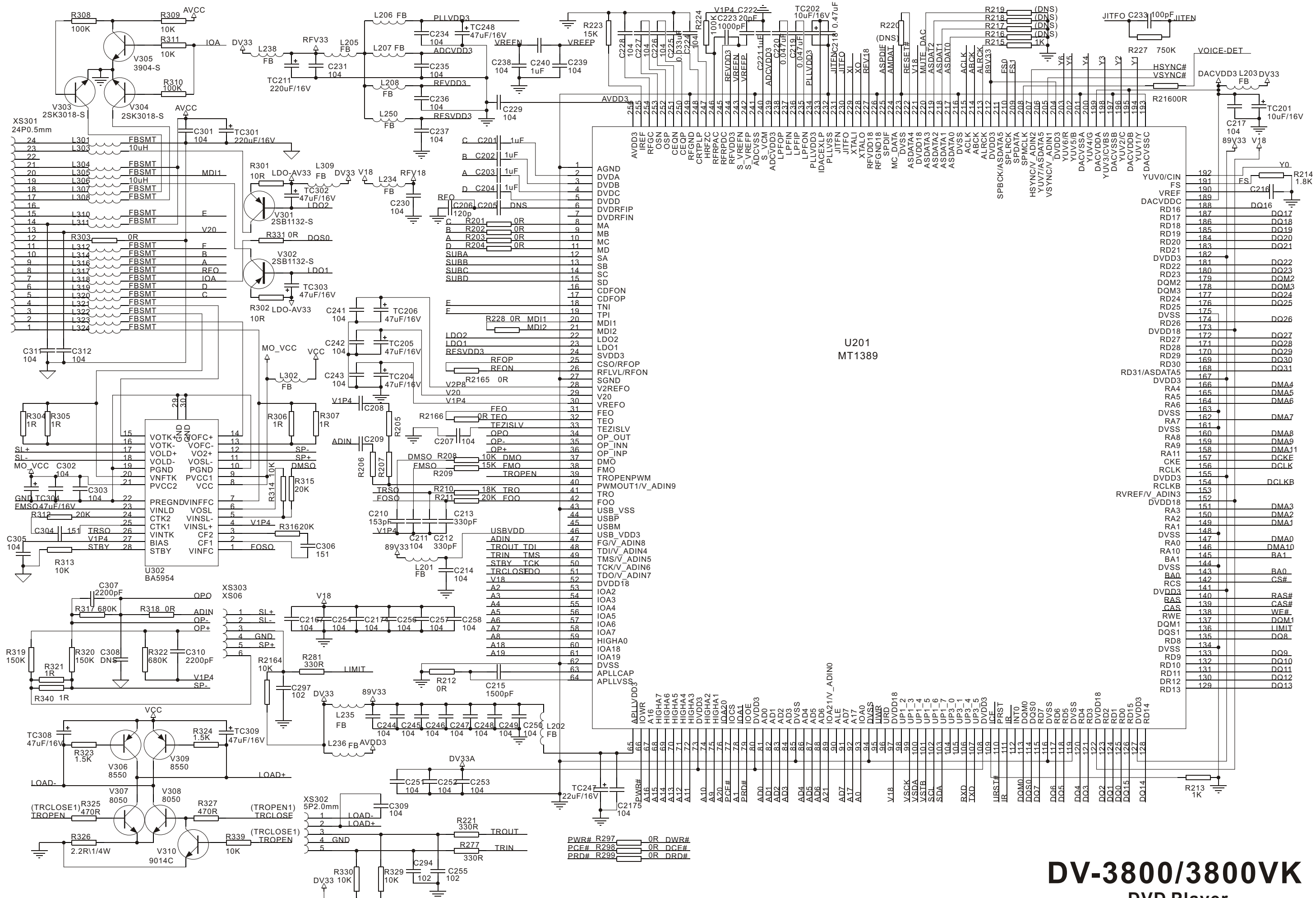
INCLUDED ACCESSORIES

REF. NO	PARTS NO.	DESCRIPTION	REMARKS
	5461643	INSTRUCTION MANUAL - DV-3800	
	5193117	INSTRUCTION MANUAL - DV-3800VK	
	5471046	REMOTE CONTROL - DV-3800	
	5471045	REMOTE CONTROL - DV-3800VK	
	1440002	BATTERY #AAA	
	2160001	AV CORD - 1.5m AUDIO	
	2170001	AV CORD - 1.5m VIDEO	

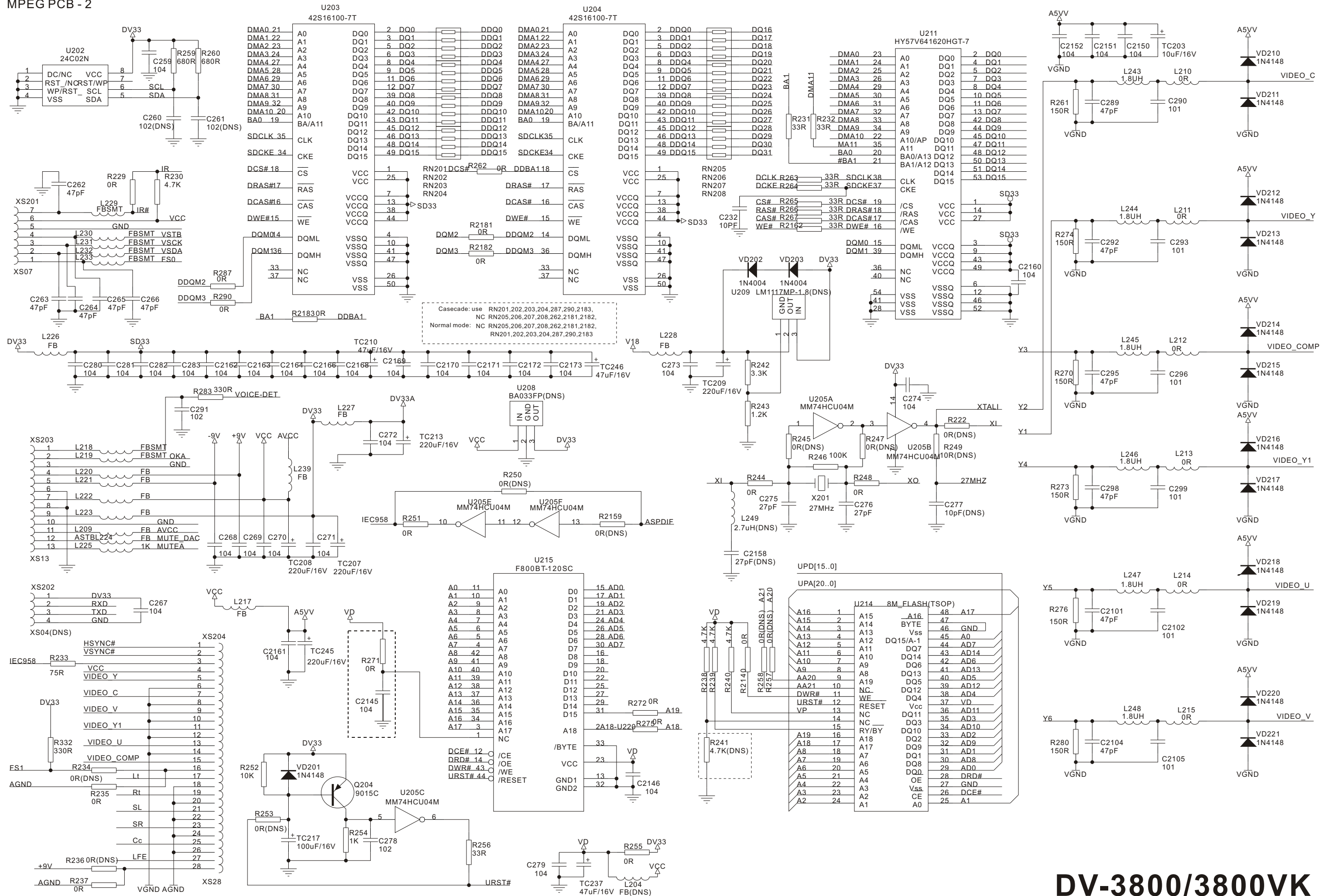
DV-3800/3800VK

TEAC

TEAC CORPORATION	3-7-3 Nakacho, Musashino-shi, Tokyo 180-8550, Japan Phone:(0422)52-5081
TEAC AMERICA, INC.	7733 Telegraph Road, Montebello, California 90640 Phone: (323)726-0303
TEAC CANADA LTD.	5939 Wallace Street, Mississauga, Ontario L4Z 1Z8, Canada Phone: (905)-890-8008
TEAC MEXICO, S.A.De C.V.	Campesinos 184,Col. Granjas Esmeralda, 09810, Mexico Phone: (525)-581-5500
TEAC UK LIMITED	5 Marlin House, Croxley Business Park, Watford, Hertfordshire, WD18 8TE, U.K. Phone: 01923-819699
TEAC DEUTSCHLAND GmbH	Bahnstrasse 12, 65205 Wiesbaden-Erbenheim, Germany Phone:0611-71580
TEAC FRANCE S.A.	17, Rue Alexis-de-Tocqueville, CE 005 92182 Antony Cedex, France Phone:(1)42.37.01.02
TEAC NEDERLAND BV	Oeverkruid 15,NL-4941 W Raamsdonksveer, Nederland Phone:0162-510210
TEAC BELGIUM NV/SA.	c/o TEAC NEDERLAND BV, Oeverkruid 15, NL-4941 W Raamsdonksveer, Nederland Phone:+31-162-510860
TEAC ITALIANA S.p.A.	Via C, Cantu 11, 20092 Cinisello Balsamo, Milano, Italy Phone:02-66010550
TEAC AUSTRALIA PTY., LTD.	280 William Street, Melbourne, VIC 3000, Australia Phone:(03)9672-2400
A.B.N.	80 005 408 462



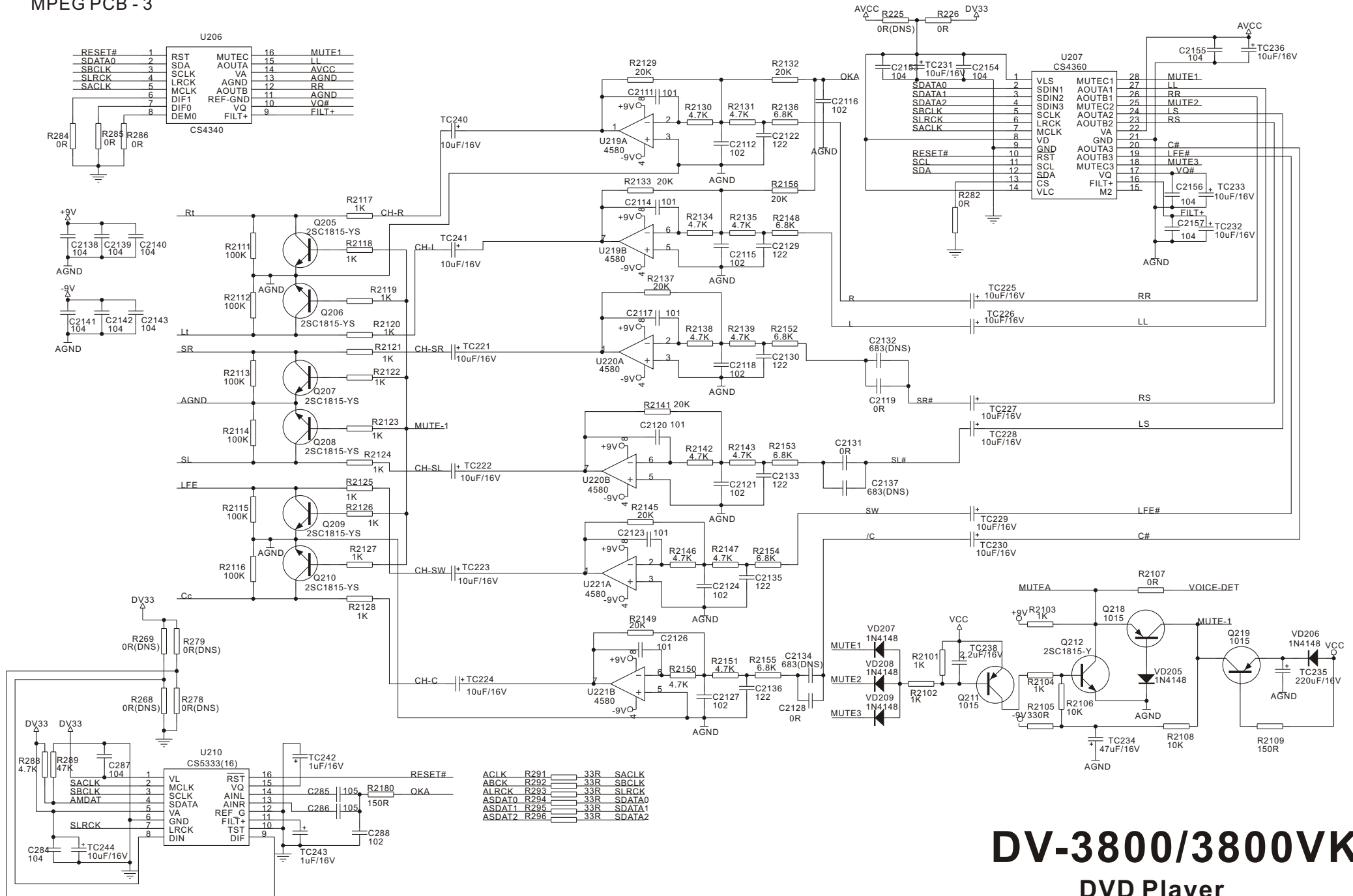
DV-3800/3800VK
 DVD Player
 DVD Player & Digital Karaoke



DV-3800/3800VK

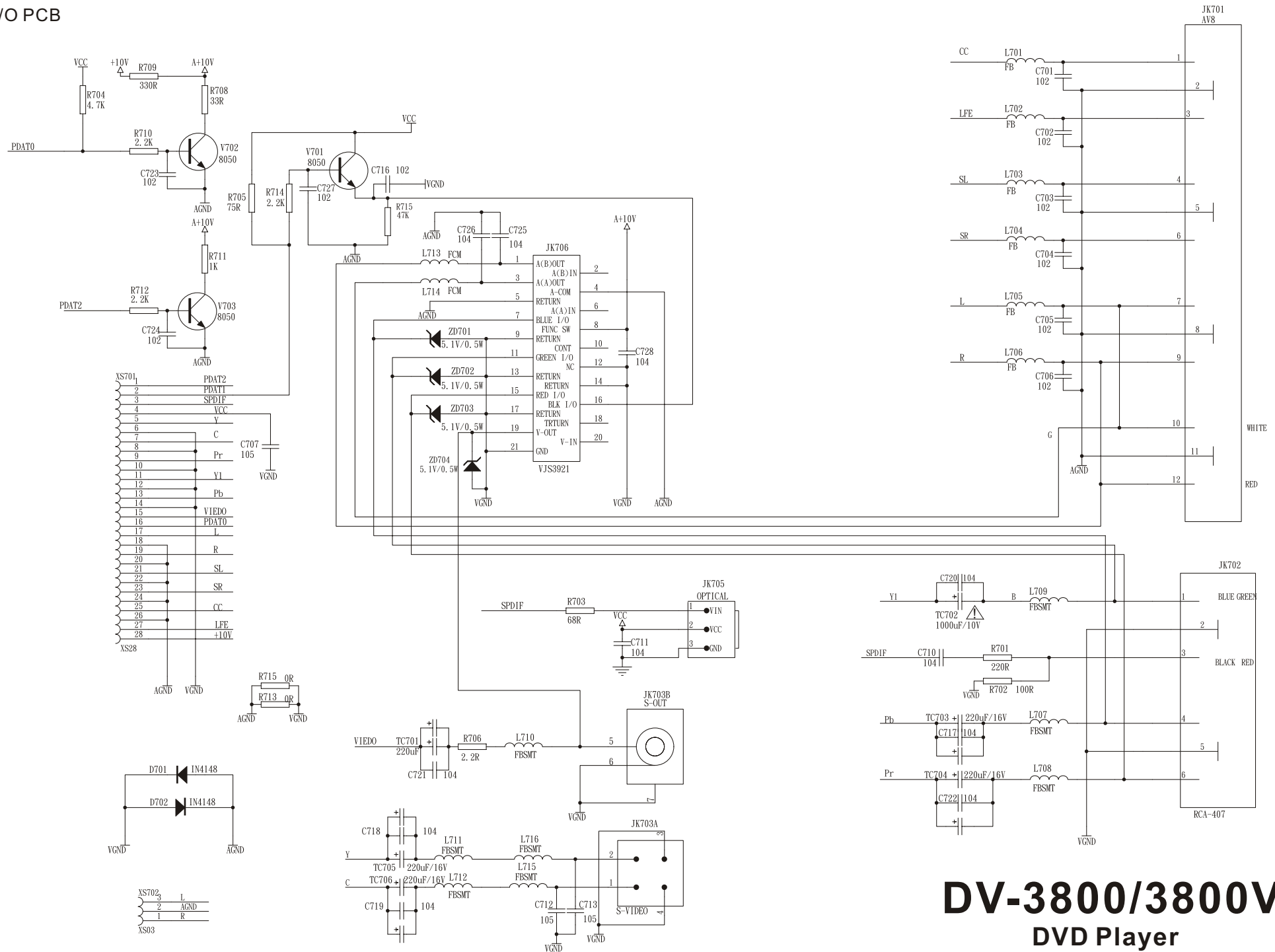
DVD Player
DVD Player & Digital Karaoke

MPEG PCB - 3



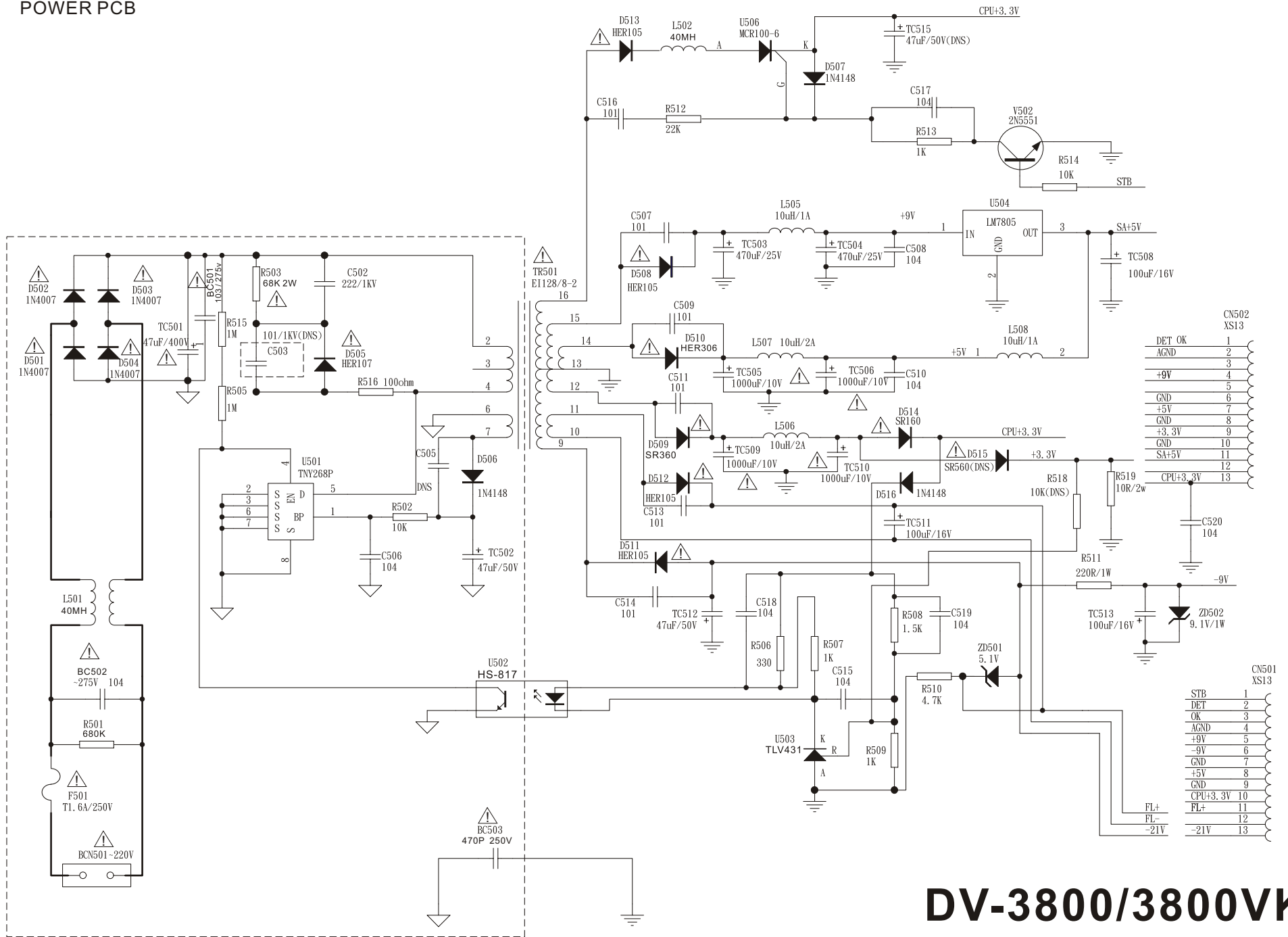
DV-3800/3800VK
DVD Player
DVD Player & Digital Karaoke

I/O PCB



DV-3800/3800VK
DVD Player
DVD Player & Digital Karaoke

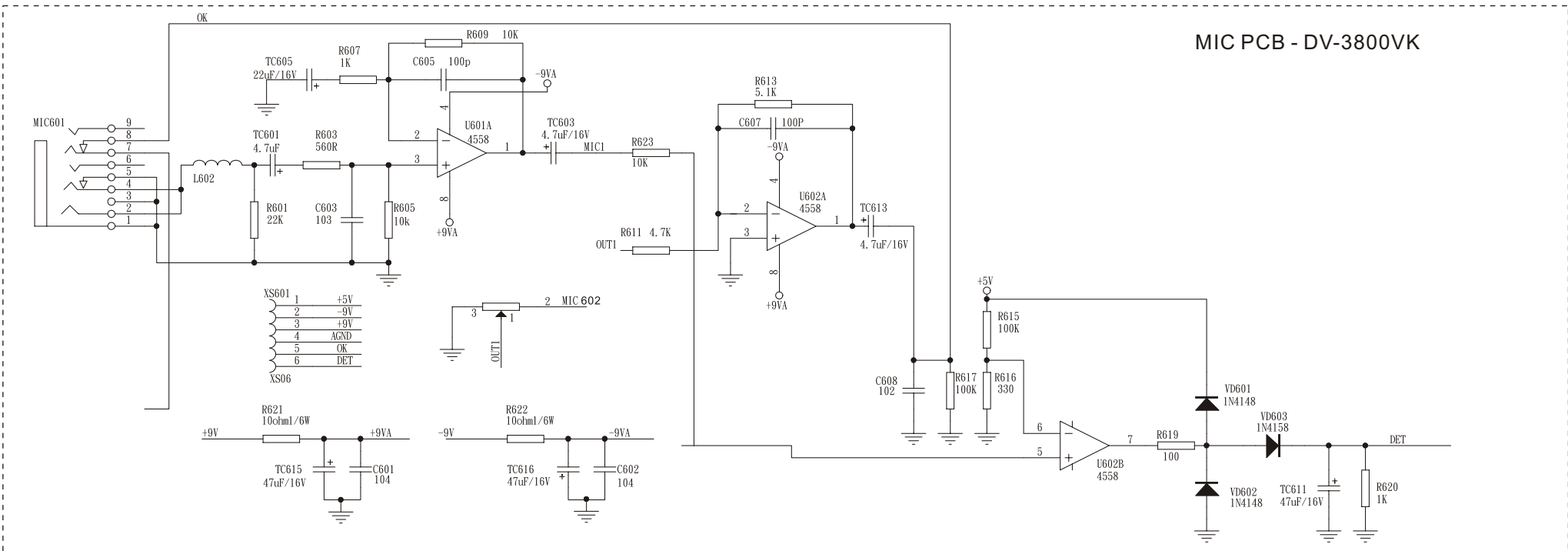
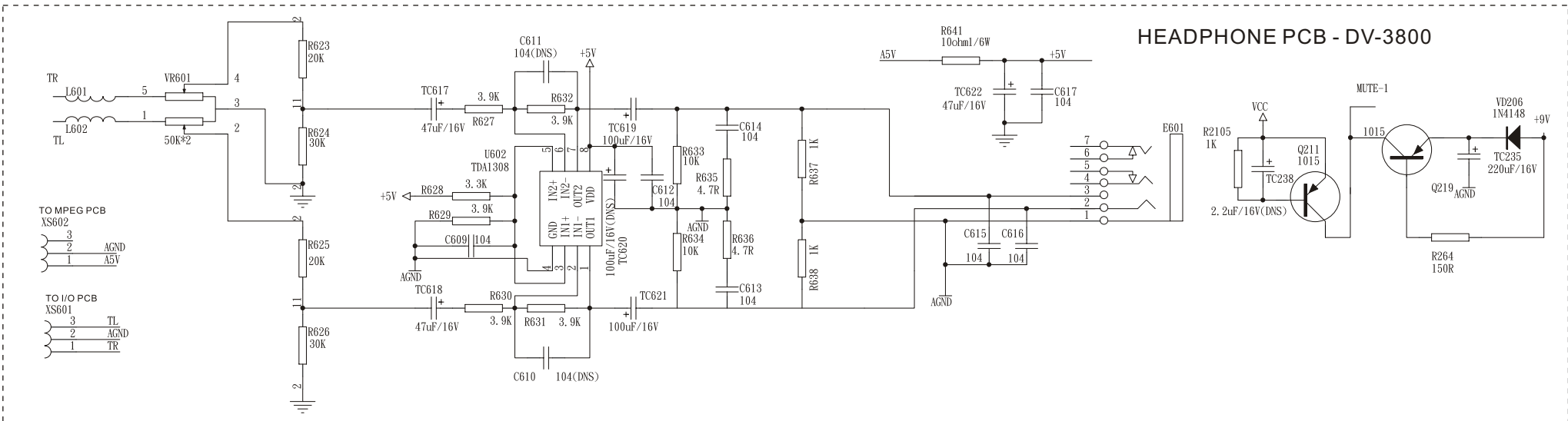
POWER PCB



CN502		XS13	
DET OK	1	1	1
ACND	2	2	2
+9V	3	3	3
+5V	4	4	4
GND	5	5	5
+5V	6	6	6
GND	7	7	7
+3.3V	8	8	8
GND	9	9	9
SA+5V	10	10	10
CPU+3.3V	11	11	11
CPU+3.3V	12	12	12
	13	13	13

CN501		XS13	
STB	1	1	1
DET	2	2	2
OK	3	3	3
ACND	4	4	4
+9V	5	5	5
-9V	6	6	6
GND	7	7	7
+5V	8	8	8
GND	9	9	9
CPU+3.3V	10	10	10
FL+	11	11	11
FL-	12	12	12
-21V	13	13	13

DV-3800/3800VK
DVD Player
DVD Player & Digital Karaoke



DV-3800/3800VK

DVD Player DVD Player & Digital Karaoke